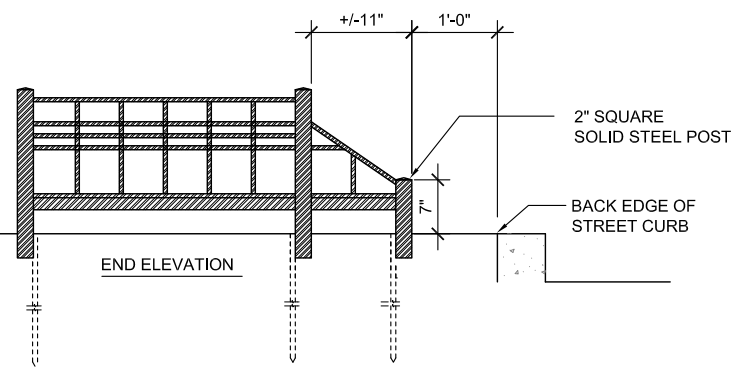


NOTE:
 ALL COMPONENTS SOLID STEEL
 WITH THREE SHOP APPLIED COATS
 OF PAINT, PER SPECIFICATIONS

- 1/2" X 1-1/2" TOP RAIL
- BEVELED TOP CORNER, TYP.
- 2" SQUARE SOLID STEEL POST
- 1/2" SQ. PICKET
- 1/2" X 1-1/2" BOTTOM RAIL
- 2" X 1/4" PLATE
- FINISHED GRADE
- 1-3" TO EDGE OF TREE PIT, TYP.
- 3/4" SQ. X 2' LONG STEEL SPIKE WELDED TO POST, TYP.

TREE PIT GUARD TYPE 'D'
 NOT TO SCALE



- 2" SQUARE SOLID STEEL POST
- BACK EDGE OF STREET CURB

TYPE 'D' THREE-SIDED DESIGN
 NOT TO SCALE